

MULTI-PURPOSE MACHINES



Type - MAXIO	200	240	280	UNI- 240	UNI - 280
Working width (cm)	201	240	278	240	278
Power requirement min. (kW/HP)	42 / 56	48 / 64	58 / 77	48 / 64	58 / 77
Weight (kg)	680	750	840	810	900
PTO speed (RPM)	1000/540	1000/540	1000/540	1000	1000
Efficiency max. (ha/h)	1,8	2,2	2,5	2,2	2,5
Number of hammers (pcs)	20	24	28	24	28
Length (mm)	1420	1420	1420	1420	1420
Width (mm)	2230	2610	3000	2610	3000
Height (mm)	1080	1080	1080	1200	1200
Move to side (mm)	190	350	400	0-450	0-580



AGROSTROJ Pelhřimov, a.s.
U Nádraží 1967 ° 393 12 Pelhřimov
CZECH REPUBLIC

e-mail: export@agrostroj.cz

www.agrostroj.cz

Technical data, accessories and design
are subject of change due to technical
development.

DEALER

JS 01/2010



MAXIO - 200
MAXIO - 240
MAXIO - 280
MAXIO UNI-240
MAXIO UNI-280

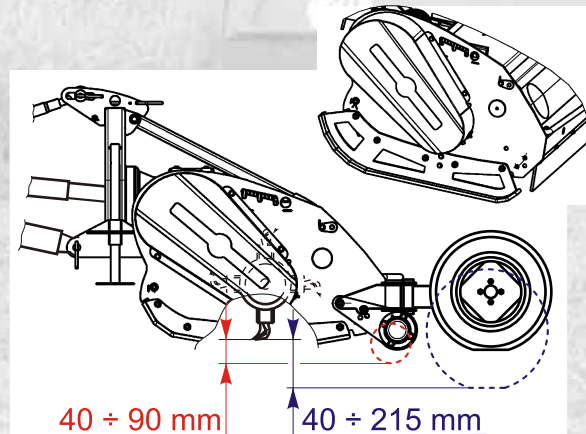


MULCHERS MAXIO

MAXIO



- mulching machines have robust rigid structures providing high reliability and output under unfavourable conditions
- newly-shaped reinforced case for maximum stability of the machine
- rotor consists of a thick-walled tube of full diameter with robust holders of hammers
- in order to intensify mulching we have increased the number of rotor hammers
- the basic equipment includes heavy forged rotor hammers
- height-adjustable pressure roll as a part of the basic equipment
- side massive soles as a part of the basic equipment
- by easy hinge reassembling you push the mulching machine to the right to run it via a driving shaft 1000 or 540 r.p.m.
- gear-box with a freewheel clutch
- opening back lid makes access to the rotor easier (cleaning, checking and replacing hammers)
- V-belts are automatically stretched by a pulley with adjustable spring
- smooth drive via a jointed shaft from the gear-box to the countershaft of the belt gear
- easily accessible parts for lubrication



- wide range of accessories:
- crushing ridges and bars intensifying mulching
 - Y-knives for pasture and grass mulching
 - height-adjustable travelling wheels
 - high side soles
 - portable lights for road transport

MAXIO UNI



- version for suspension using a front or rear three-point hanger
- side sliding via a hydraulic cylinder
- driving shaft – 1000 r.p.m.
- newly-shaped reinforced case for maximum stability of the machine
- rotor consists of a thick-walled tube of full diameter with robust holders of hammers
- the basic equipment includes heavy forged rotor hammers
- height-adjustable pressure roll and side massive soles as a part of the basic equipment
- gear-box with a freewheel clutch
- V-belts are automatically stretched by a pulley with adjustable spring
- smooth drive via a jointed shaft from the gear-box to the countershaft of the belt gear
- easily accessible parts for lubrication

